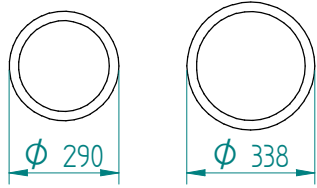


Dispenser: 03.1753.NC DFE 340 heated
heating element 230V-400W

Crockery:



from to

Dimensions:

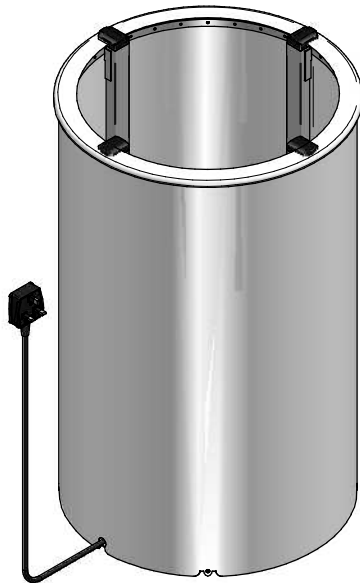
A = flange

E = cut out

H = build in height

S = effective stacking height

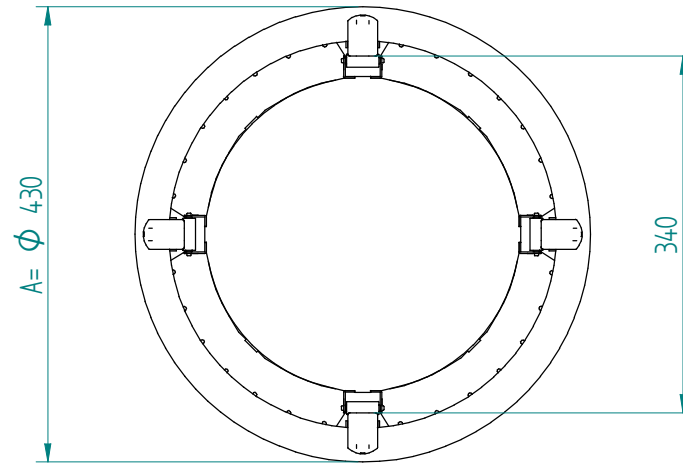
weight (empty): 12 kg



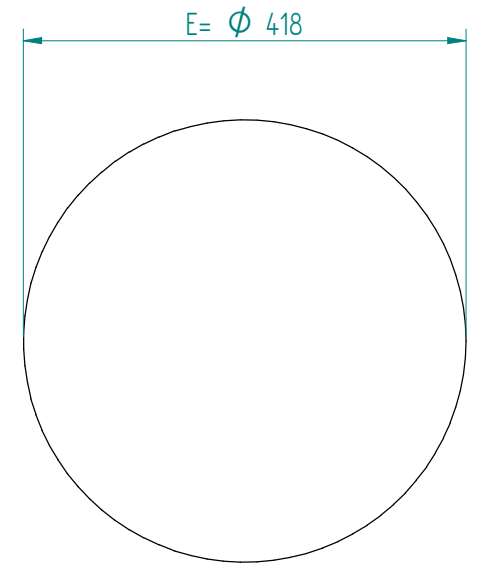
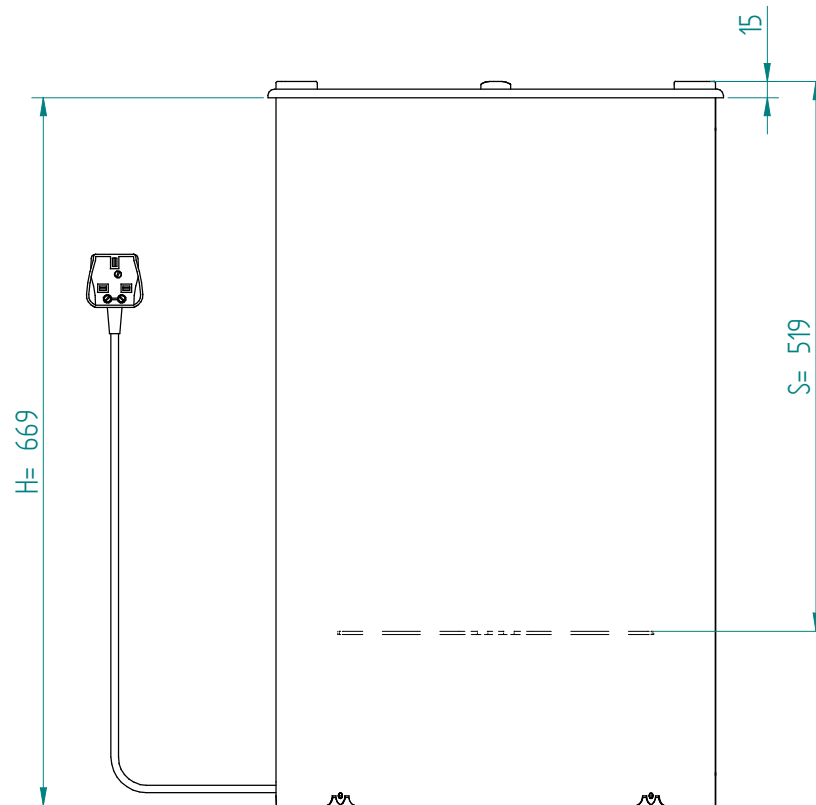
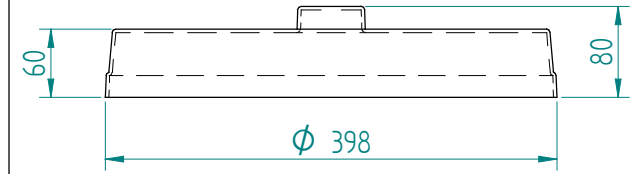
MUKL

VR :

IR :



options, order separate;
pc cover: 91.5040



MOBILE CONTAINING