

Build in instruction:

95.7002.BOX

Box for 95.7002

Parts:

- 1. Panel (counter)
- 2. Box
- 3. Operating panel
- 4. Mounting screw $\varnothing 3.5 \times 1$
- 5. Mounting screw M4 x 12
- 6. Washer M4
- 7. Nut M4

Dimensions:

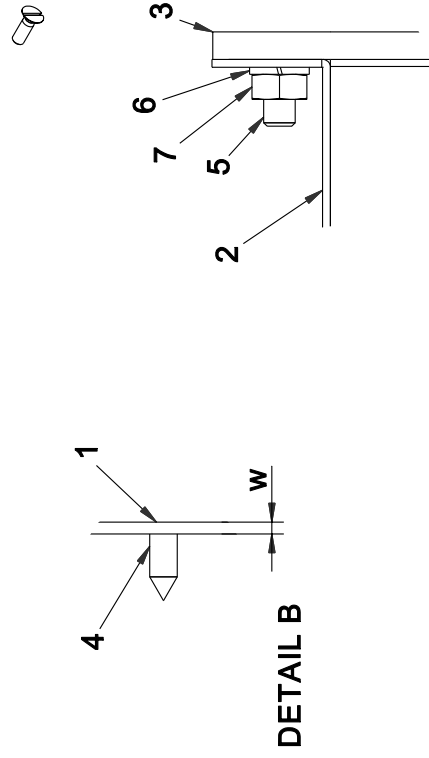
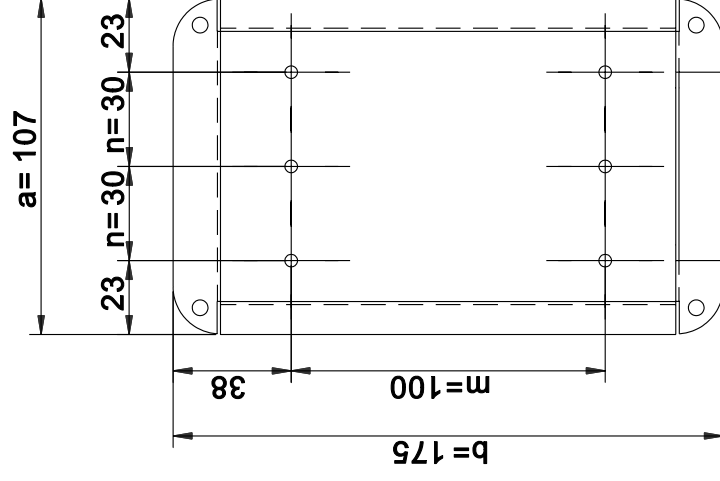
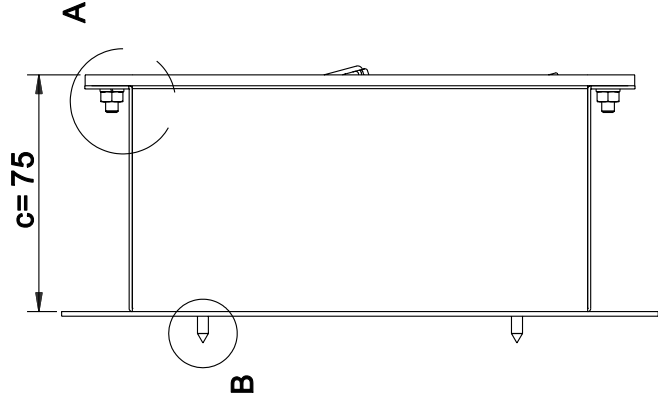
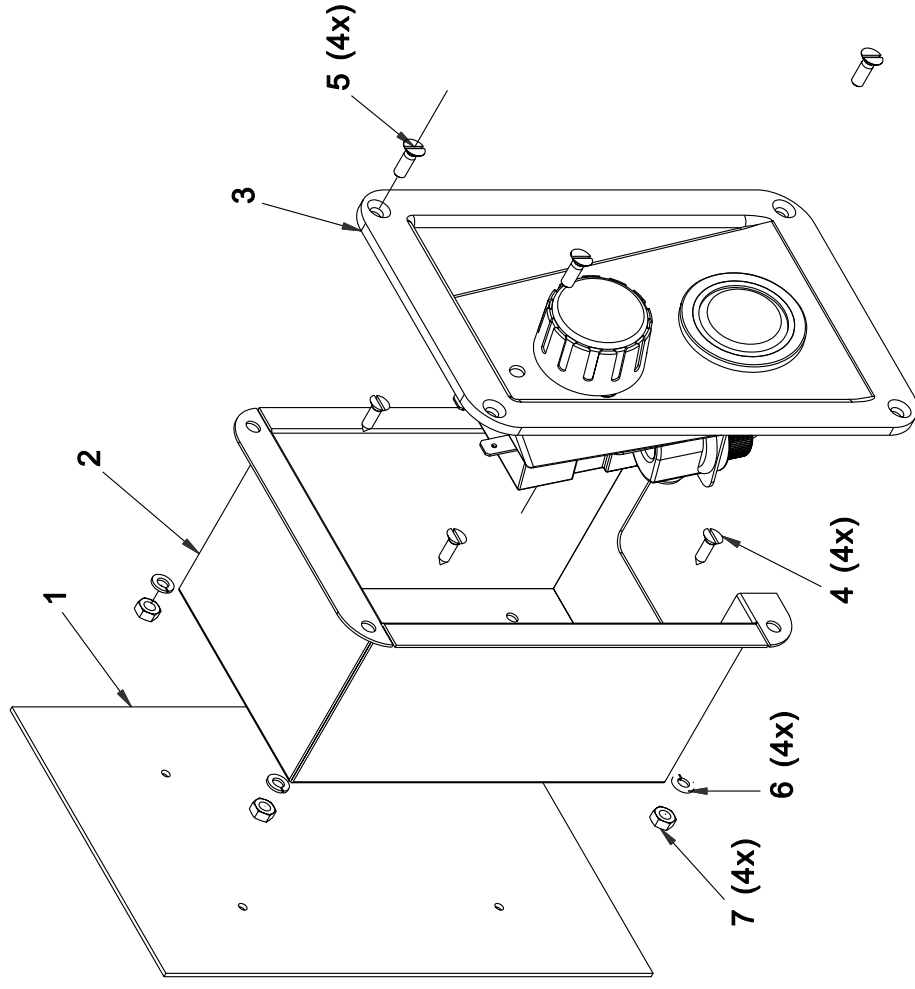
- a x b = operating panel & box
- c = build in depth operating panel
- m x n = screw-hole centres operating panel
- w = panel thickness

VR :

IR :

Drawn by : mr Date: 28-10-05

Checked by: iw Date: 31-10-05



DETAIL A

DETAIL B